

SEWER DETAILS

TB-101 Typical Sewer Trench Section

TB-102 Profile of Typical Sewer Lateral

TB-103 Nose-on Detail

TB-104 Typical Precast Manhole

TB-105 Typical Manhole Section

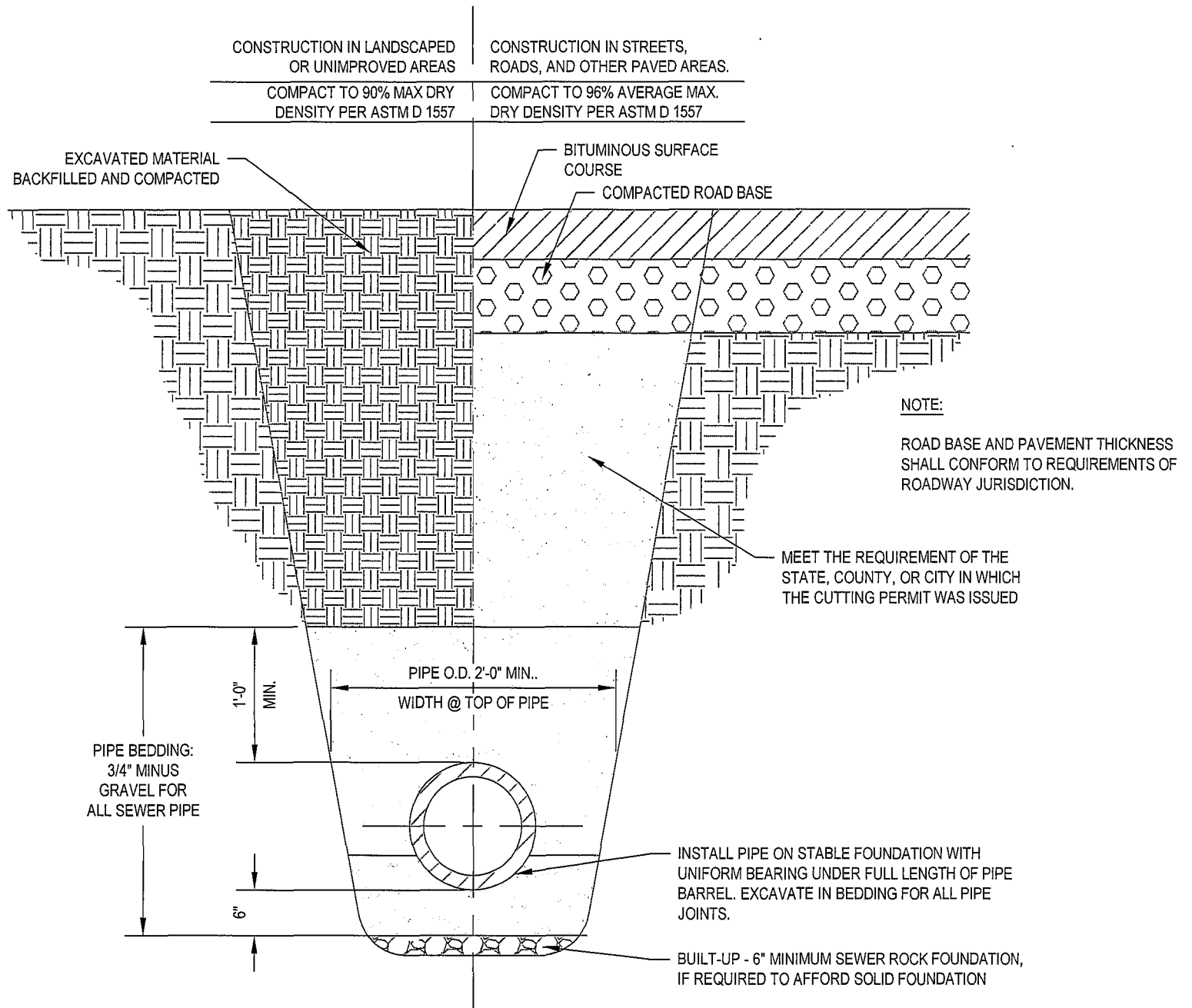
TB-106 Manhole Ring and Cover

TB-107 Plan- New Cast in Place Manhole

TB-108 Section- New Manhole on existing line

TB-109 Typical Drop Manhole

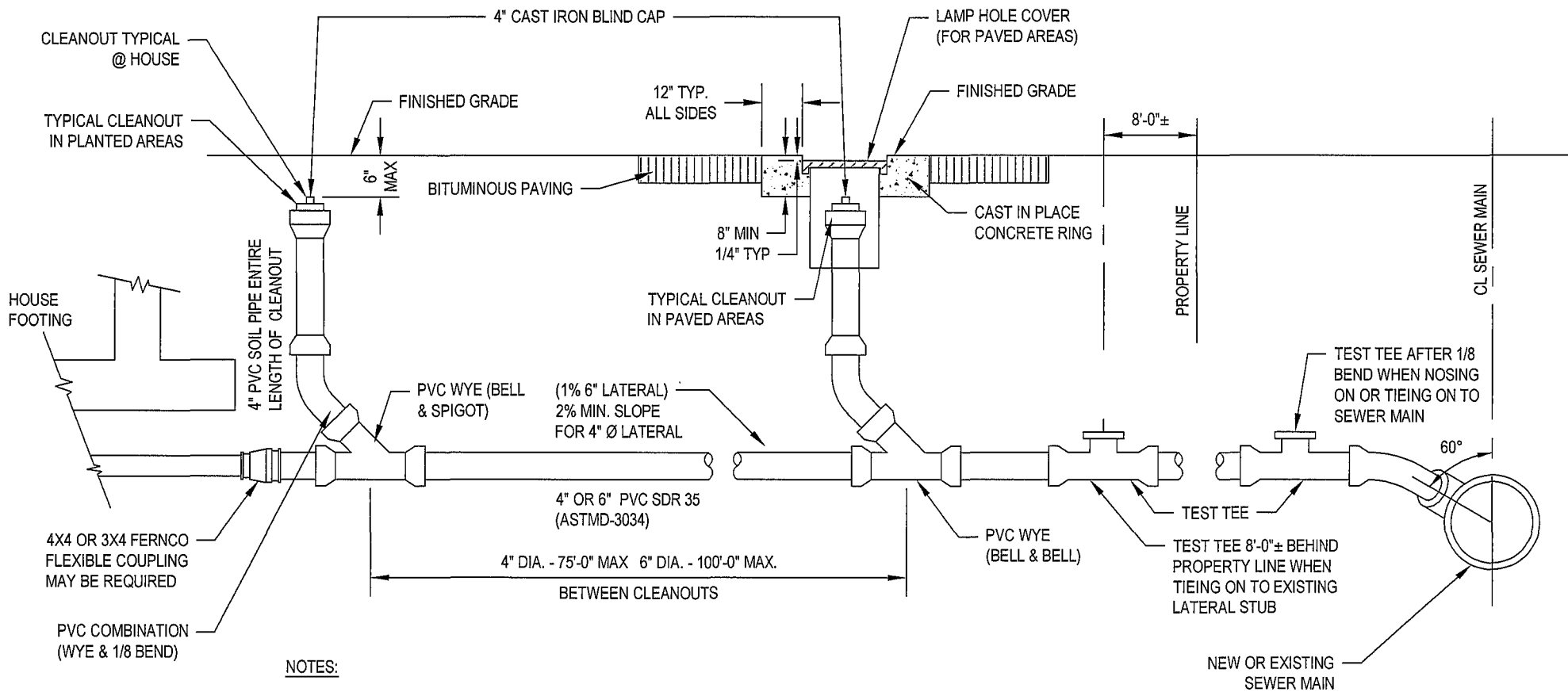
TB-110 Sampling Manhole



TB-101 TYPICAL SEWER TRENCH SECTION @ GRADE

N.T.S.

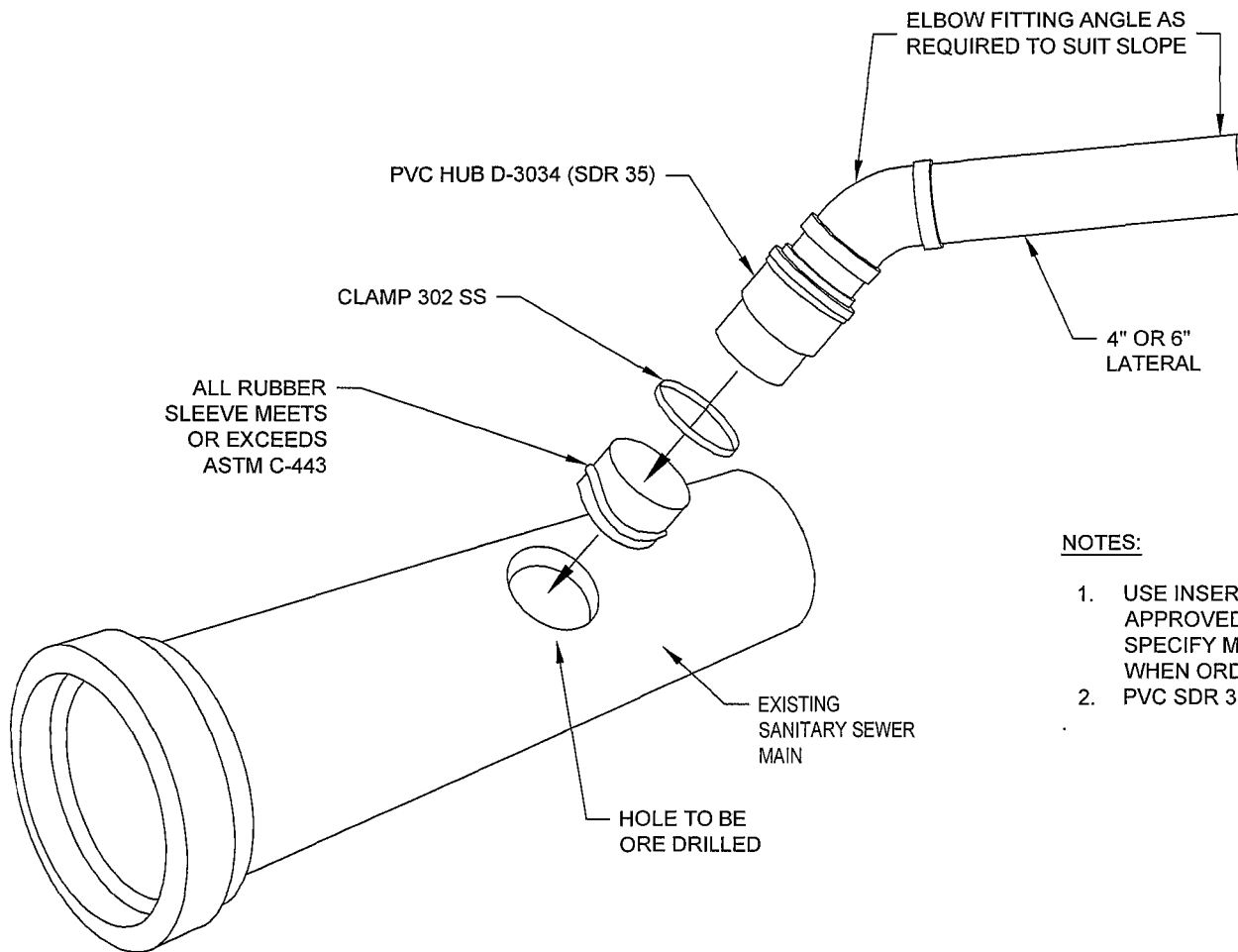
TBID STANDARD DETAIL



1. NO SEWER LATERAL CONNECTIONS TO BE MADE AT MANHOLE, EXCEPT AS APPROVED BY T.B.I.D. INSPECTOR.
2. INSTALL PER TYPICAL SEWER TRENCH TB-101.
3. LEVEL & ADJUST COVER TO FINISH GRADE (1/4" MAX BELOW SURFACE).
4. ALL FITTINGS AND PIPE SHALL BE PVC SDR 35

TB-102 PROFILE OF TYPICAL SEWER LATERAL

N.T.S.



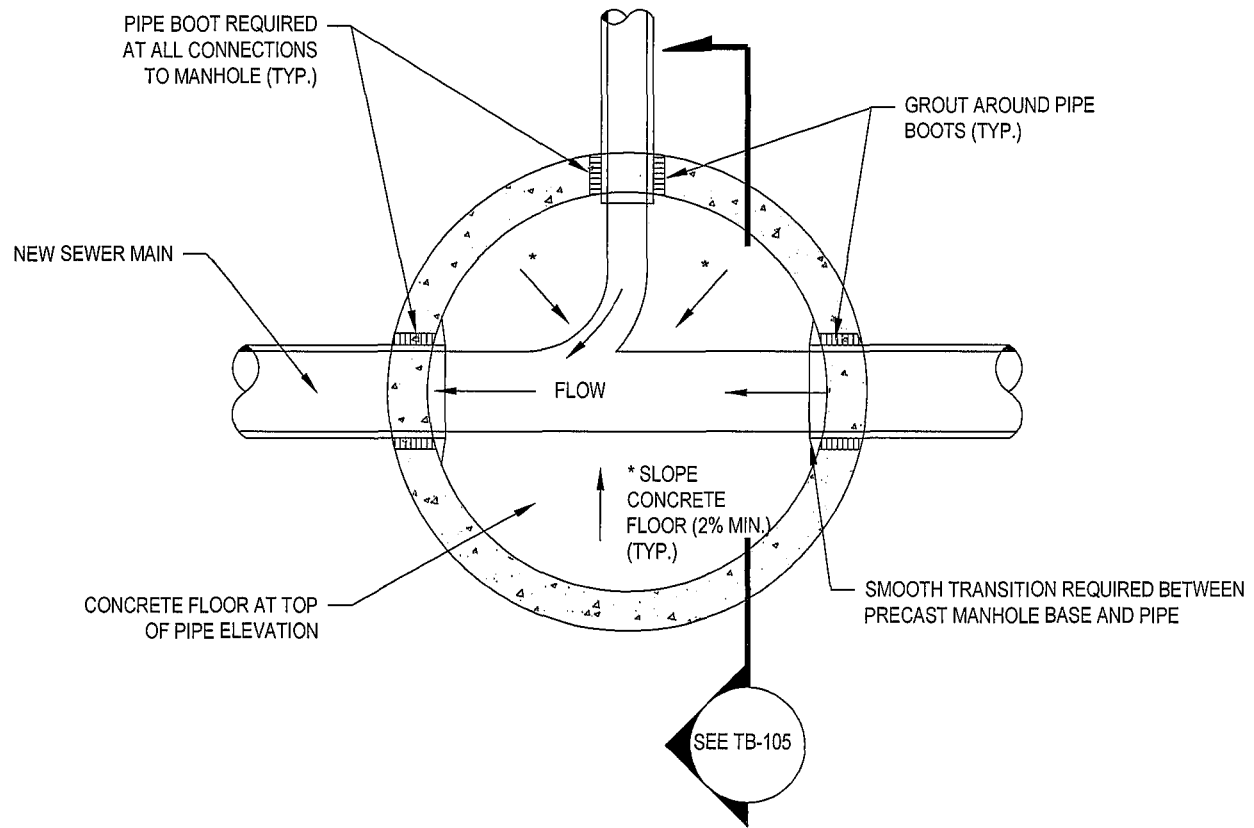
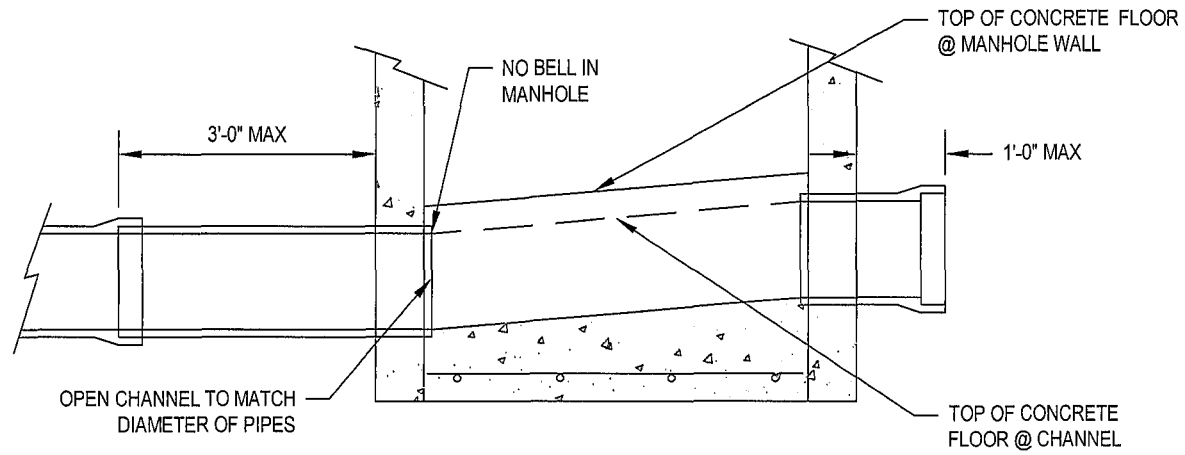
NOTES:

1. USE INSERTA TEE OR APPROVED EQUAL PRODUCT. SPECIFY MAINLINE MATERIAL WHEN ORDERING
2. PVC SDR 35 ON ALL FITTINGS

TB-103 NOSE ON DETAIL

N.T.S.

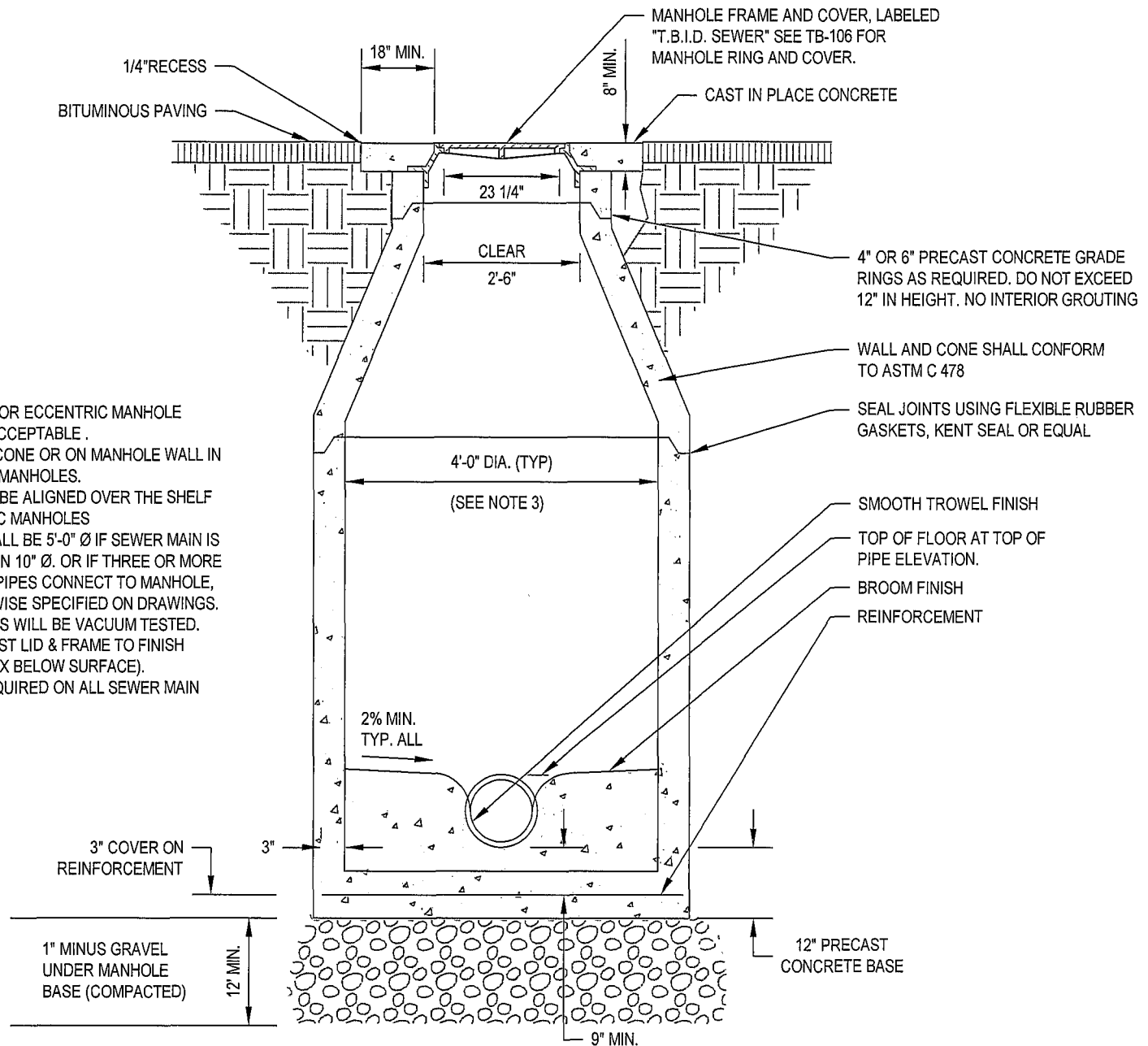
TBID STANDARD DETAIL



TB-104 TYPICAL PRECAST MANHOLE

N.T.S.

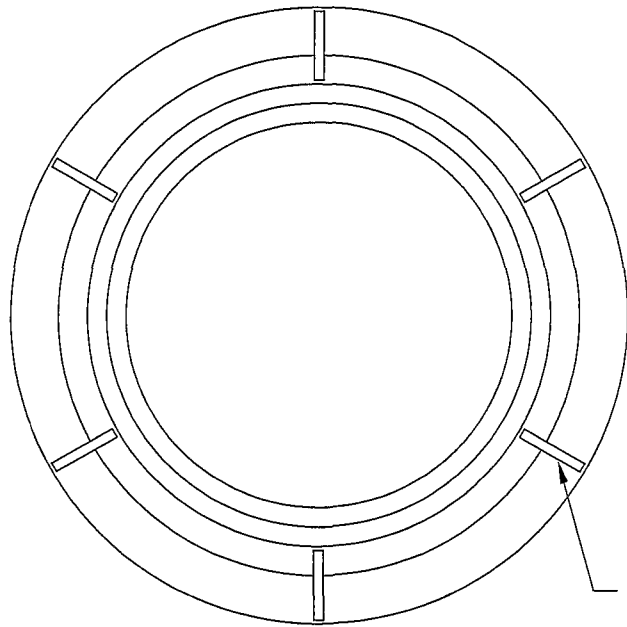
TBID STANDARD DETAIL



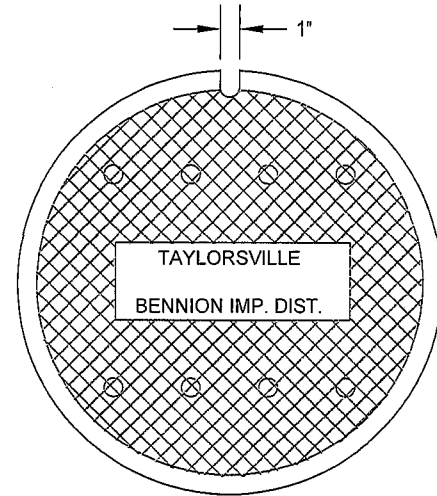
TB-105 TYPICAL MANHOLE SECTION

N.T.S.

TBID STANDARD DETAIL

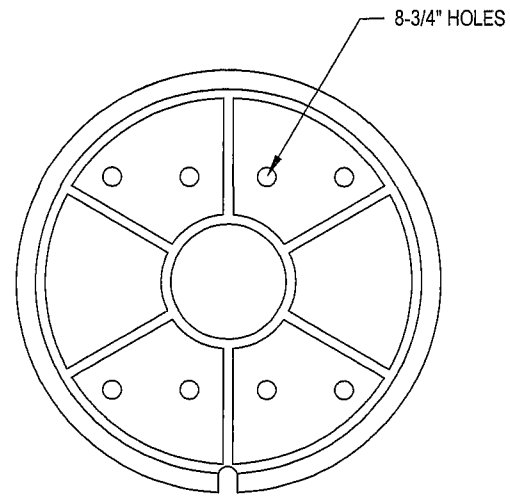
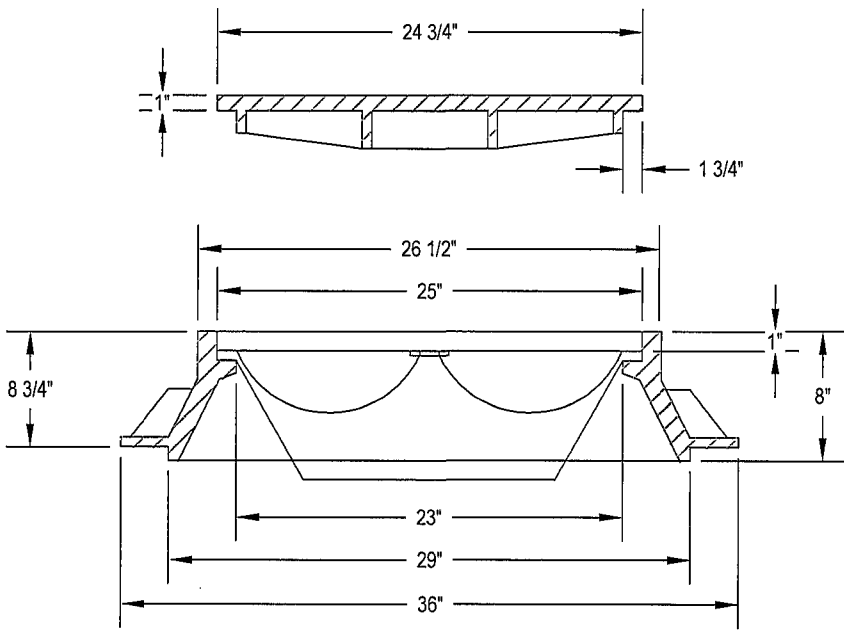


1/2" GUSSETS
(6 EACH AT 60 DEGREES)



TAYLORSVILLE
BENNION IMP. DIST.

1"

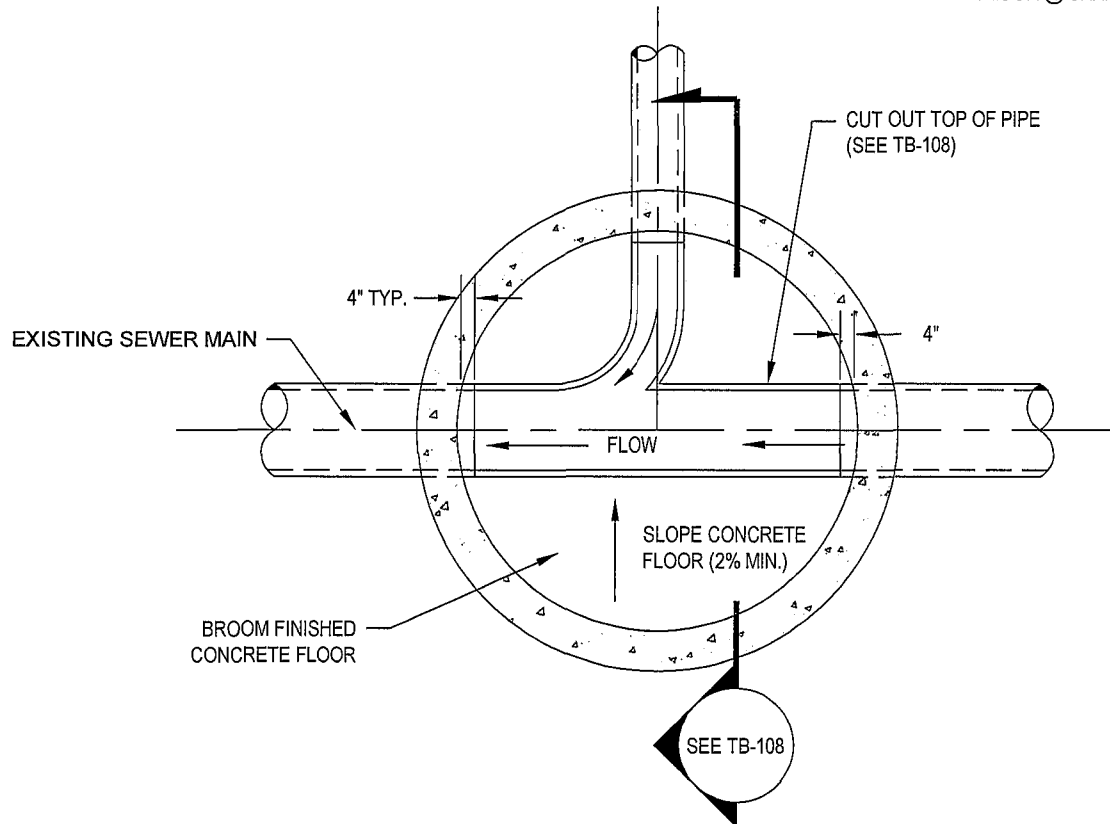
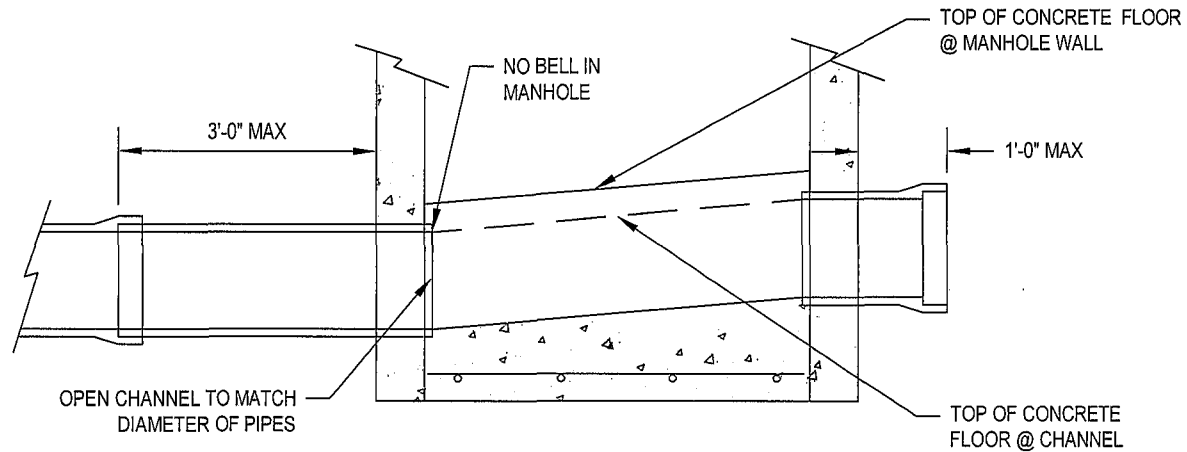


8-3/4" HOLES

TB-106 MANHOLE RING AND COVER

N.T.S.

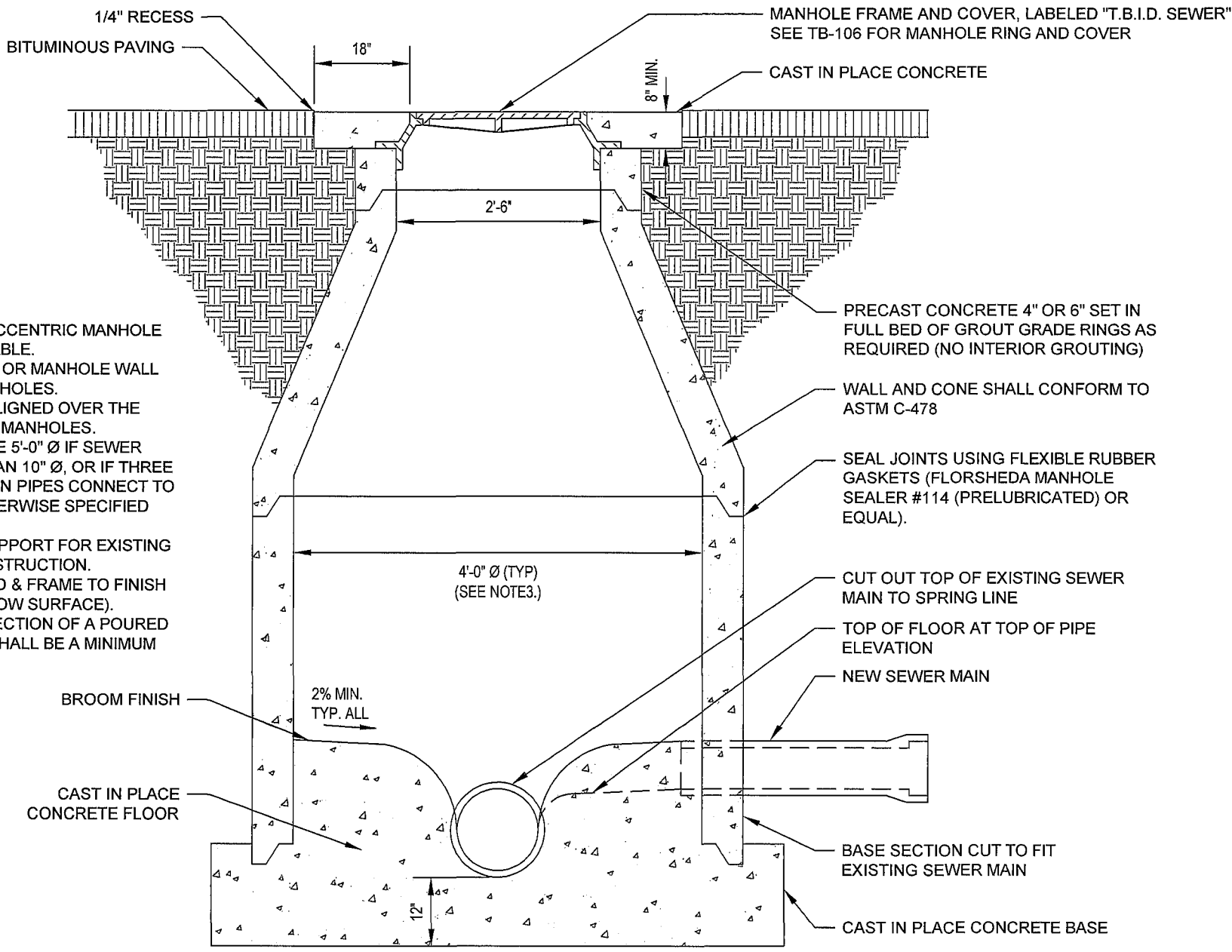
TBID STANDARD DETAIL



**TB-107 PLAN-NEW CAST IN PLACE
 MANHOLE ON EXISTING SEWER LINE**

N.T.S.

TBID STANDARD DETAIL



NOTES:

1. CONCENTRIC OR ECCENTRIC MANHOLE CONES ARE ACCEPTABLE.
2. NO STEPS IN CONE OR MANHOLE WALL OF CONCENTRIC MANHOLES.
3. STEPS SHALL BE ALIGNED OVER THE SHELF IN ECCENTRIC MANHOLES.
4. MANHOLE SHALL BE 5'-0" Ø IF SEWER MAIN IS GREATER THAN 10" Ø, OR IF THREE OR MORE SEWER MAIN PIPES CONNECT TO MANHOLE, OR IF OTHERWISE SPECIFIED ON DRAWINGS.
5. PROVIDE TEMP. SUPPORT FOR EXISTING SEWER DURING CONSTRUCTION.
6. LEVEL & ADJUST LID & FRAME TO FINISH GRADE (1/4" MAX BELOW SURFACE).
7. THE BASE RISER SECTION OF A POURED IN PLACE MANHOLE SHALL BE A MINIMUM OF 2 FEET HIGH.

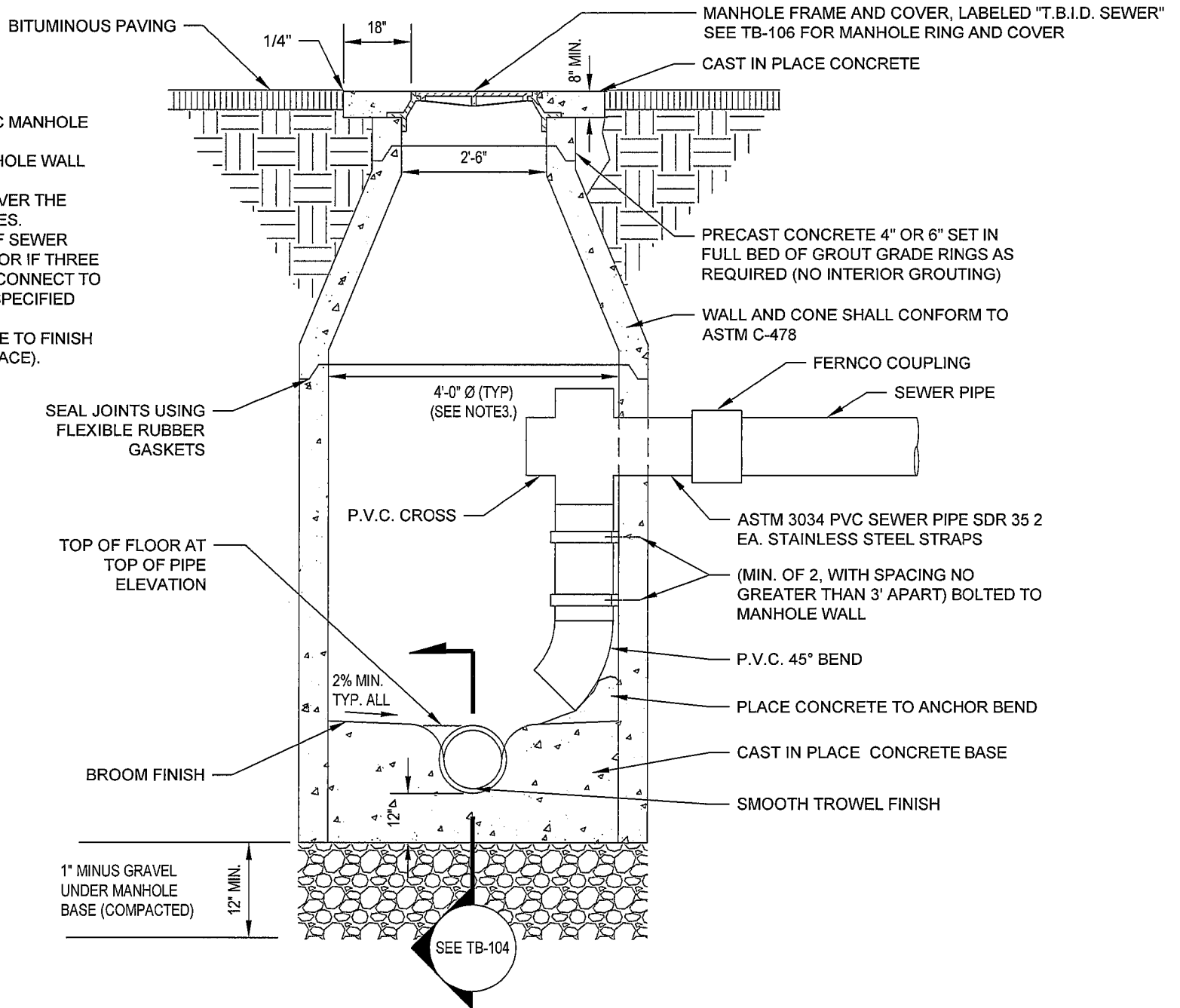
TB-108 SECTION-NEW MANHOLE ON EXISTING SEWER LINE

N.T.S.

TBID STANDARD DETAIL

NOTES:

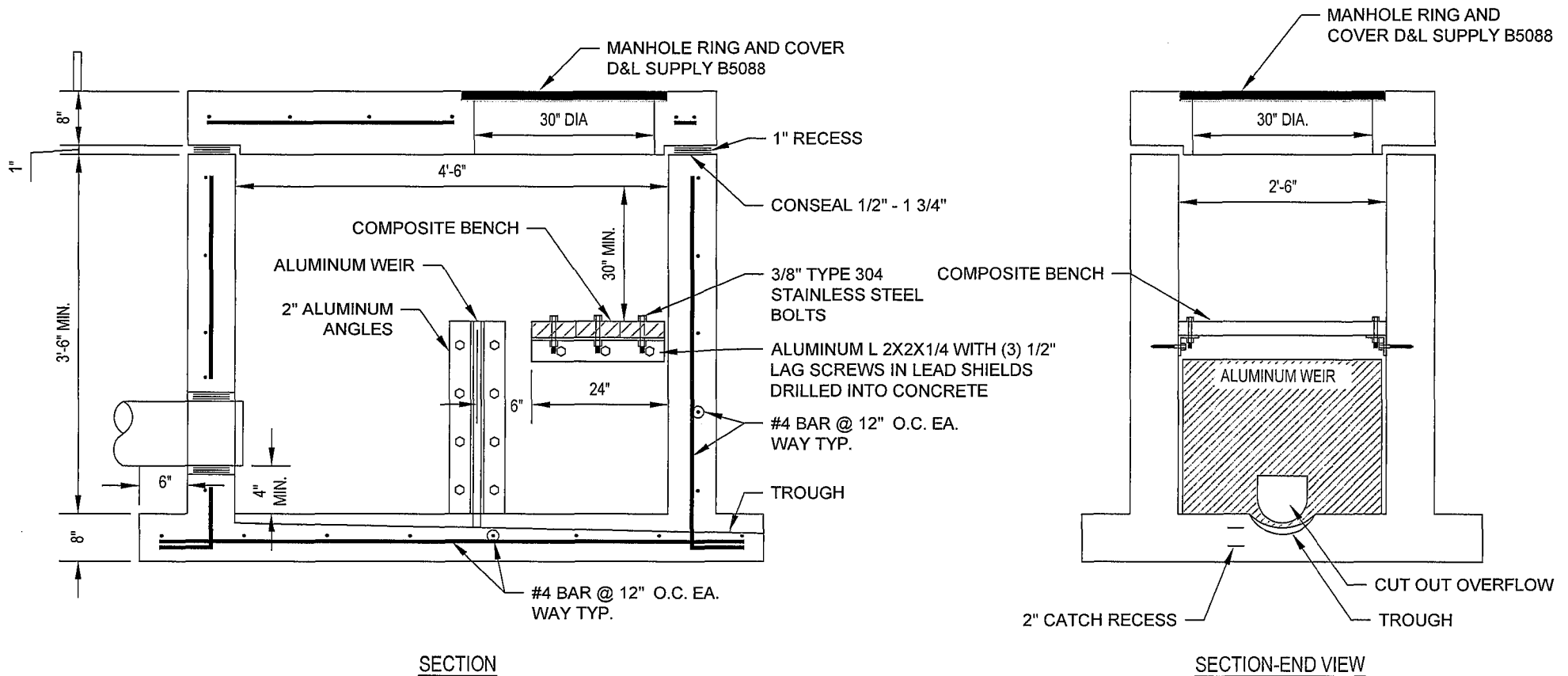
1. CONCENTRIC OR ECCENTRIC MANHOLE CONES ARE ACCEPTABLE.
2. NO STEPS IN CONE OR MANHOLE WALL OF CONCENTRIC MANHOLES.
3. STEPS SHALL BE ALIGNED OVER THE SHELF IN ECCENTRIC MANHOLES.
4. MANHOLE SHALL BE 5'-0" Ø IF SEWER MAIN IS GREATER THAN 10" Ø, OR IF THREE OR MORE SEWER MAIN PIPES CONNECT TO MANHOLE, OR IF OTHERWISE SPECIFIED ON DRAWINGS.
5. LEVEL & ADJUST LID & FRAME TO FINISH GRADE (1/4" MAX BELOW SURFACE).



TB-109 TYPICAL DROP MANHOLE SECTION

N.T.S.

TBID STANDARD DETAIL



TB-110 SAMPLING MANHOLE

N.T.S.

TBID STANDARD DETAIL