

WATER DETAILS

TB-201 Typical Water Trench Section

TB-202 Thrust Blocking Detail

TB-203 ¾" and 1" Lateral Connection

TB-203A 2" Water Lateral Connection

TB-204 Typical Valve Box

TB-205 Valve box and Extension Stem

TB-206 Bollards Detail

TB-207 Fire Hydrant Connection Detail

TB-208 Prefabricated Steel Loop Detail

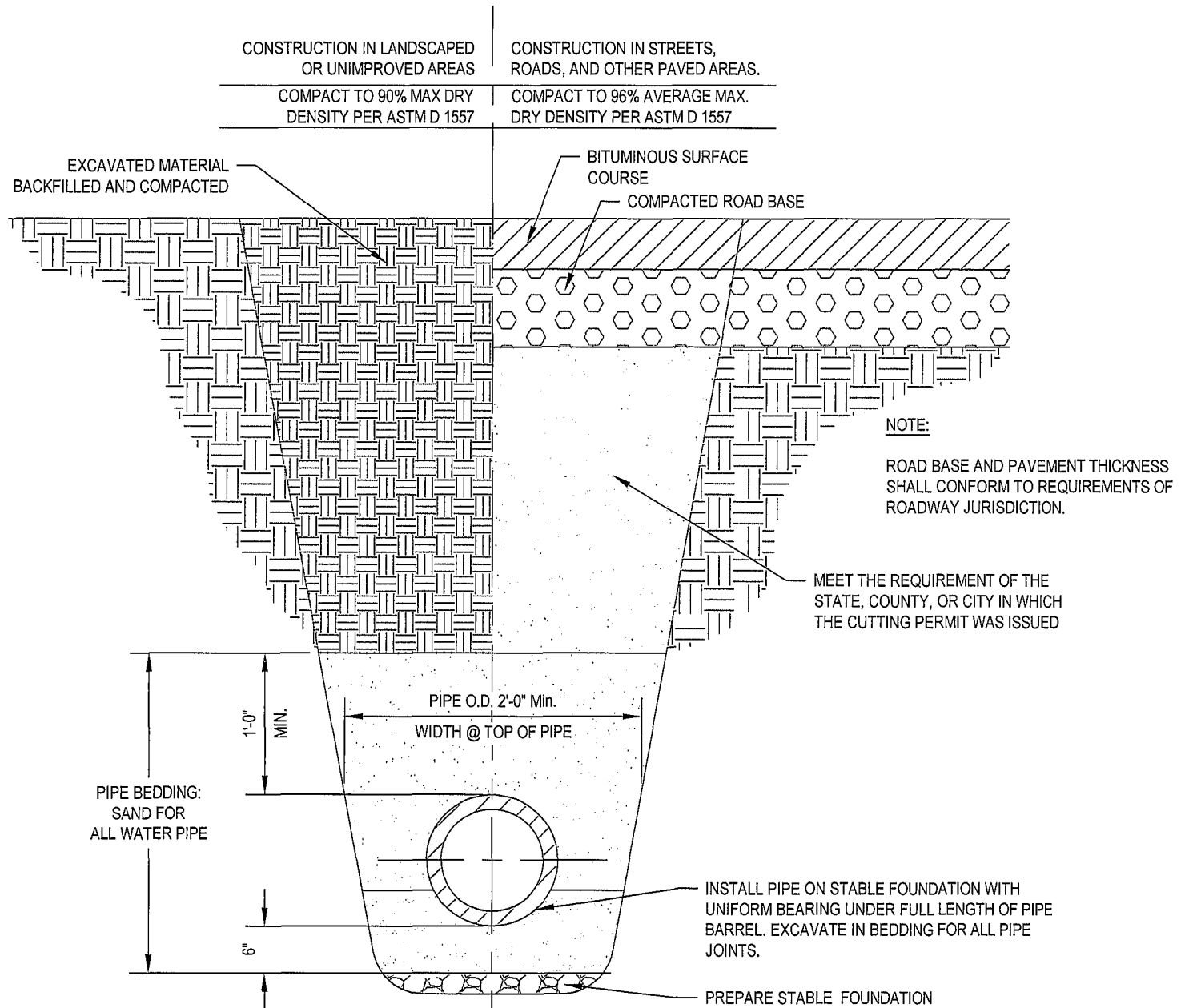
TB-209 Jack Stand Detail

TB-210 Adjustable Pipe Support

TB-222 3" 4" 6" or 8" Meter Box

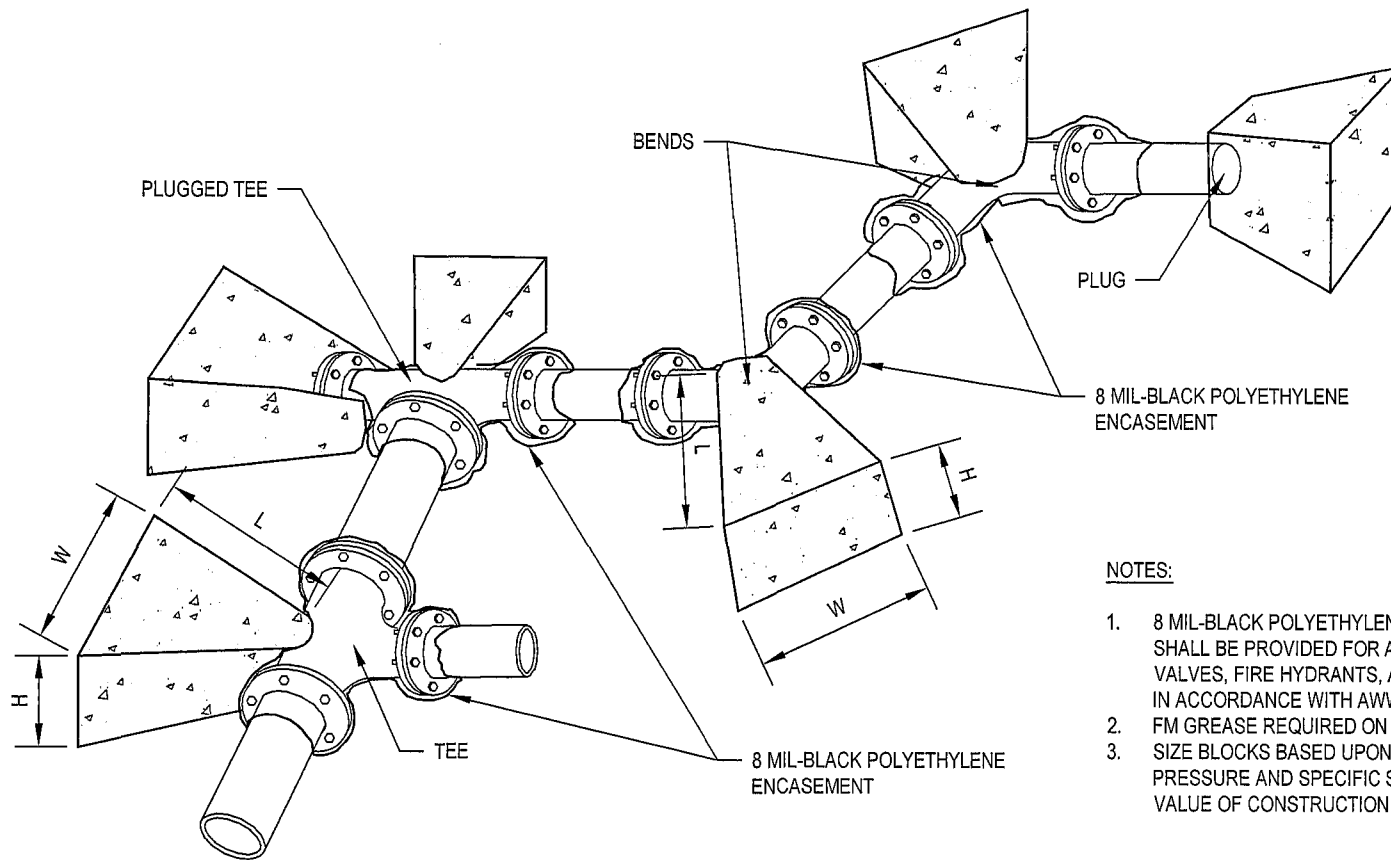
TB-229A Air and Vacuum Valve

TB-229B Stand Pipe



TB-201 TYPICAL WATER TRENCH SECTION @ GRADE

N.T.S.



NOTES:

1. 8 MIL-BLACK POLYETHYLENE ENCASEMENT SHALL BE PROVIDED FOR ALL FITTINGS, VALVES, FIRE HYDRANTS, AND COUPLINGS IN ACCORDANCE WITH AWWA C105.
2. FM GREASE REQUIRED ON BOLTS.
3. SIZE BLOCKS BASED UPON 200 PSI LINE PRESSURE AND SPECIFIC SOIL BEARING VALUE OF CONSTRUCTION SITE.

	11.25° BEND			22.5° BEND			45° BEND			90° BEND			TEE			DEAD END		
	L	W	H	L	W	H	L	W	H	L	W	H	L	W	H	L	W	H
6-INCH	0.8'	1.0'	1.0'	1.2'	1.3'	1.3'	1.6'	1.9'	1.9'	2.2'	2.5'	2.5'	1.8'	2.1'	2.1'	1.8'	2.1'	2.1'
8-INCH	1.1'	1.3'	1.3'	1.5'	1.8'	1.8'	2.1'	2.5'	2.5'	2.9'	3.3'	3.3'	2.4'	2.8'	2.8'	2.4'	2.8'	2.8'
10-INCH	1.4'	1.6'	1.6'	1.9'	2.2'	2.2'	2.6'	3.0'	3.0'	3.6'	4.1'	4.1'	3.0'	3.5'	3.5'	3.0'	3.5'	3.5'
12-INCH	1.6'	1.9'	1.9'	2.3'	2.6'	2.6'	3.1'	3.6'	3.6'	4.3'	4.9'	4.9'	3.6'	4.1'	4.1'	3.6'	4.1'	4.1'

* THRUST BLOCK SIZES SHOWN ARE BASED ON 200PSI OPERATING PRESSURE AND 1500 LBS/SQ FT SOIL BEARING PRESSURE. THRUST BLOCK SIZES MAY NEED TO BE ADJUSTED TO CONFORM WITH PROJECT SPECIFIC CONDITIONS

TB-202 THRUST BLOCKING DETAIL

N.T.S.

TBID STANDARD DETAIL

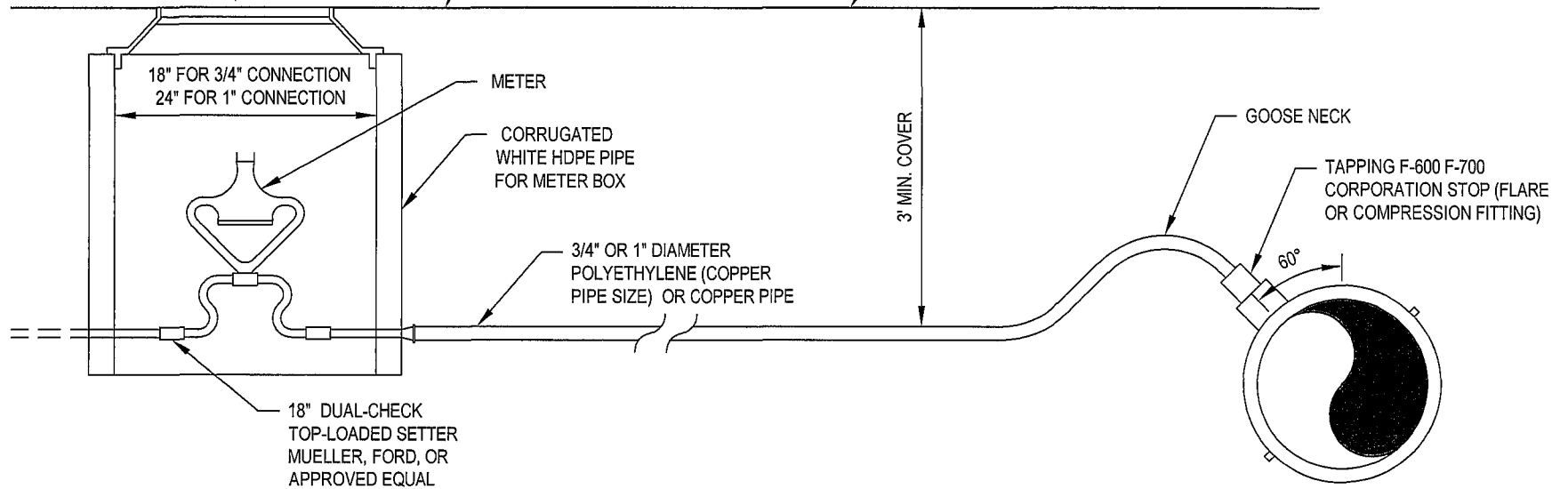
PROVIDE METER BOX WITH 18" RING AND LID STAMPED "WATER METER" WITH A 2" HOLE FOR REMOTE READ METERS (D&L #L-2240-021 AND L-2240-R11) FOR 1" CONNECTION A 24" RING AND LID IS REQUIRED)

RESTORE AREA AROUND METER BOX TO MATCH EXISTING CONDITIONS OR BETTER

FINISH GRADE

NOTE:

DEVELOPER IS RESPONSIBLE FOR COMPACTION IN THE WATER LATERAL TRENCH.



TB-203 3/4" AND 1" WATER LATERAL CONNECTION DETAIL

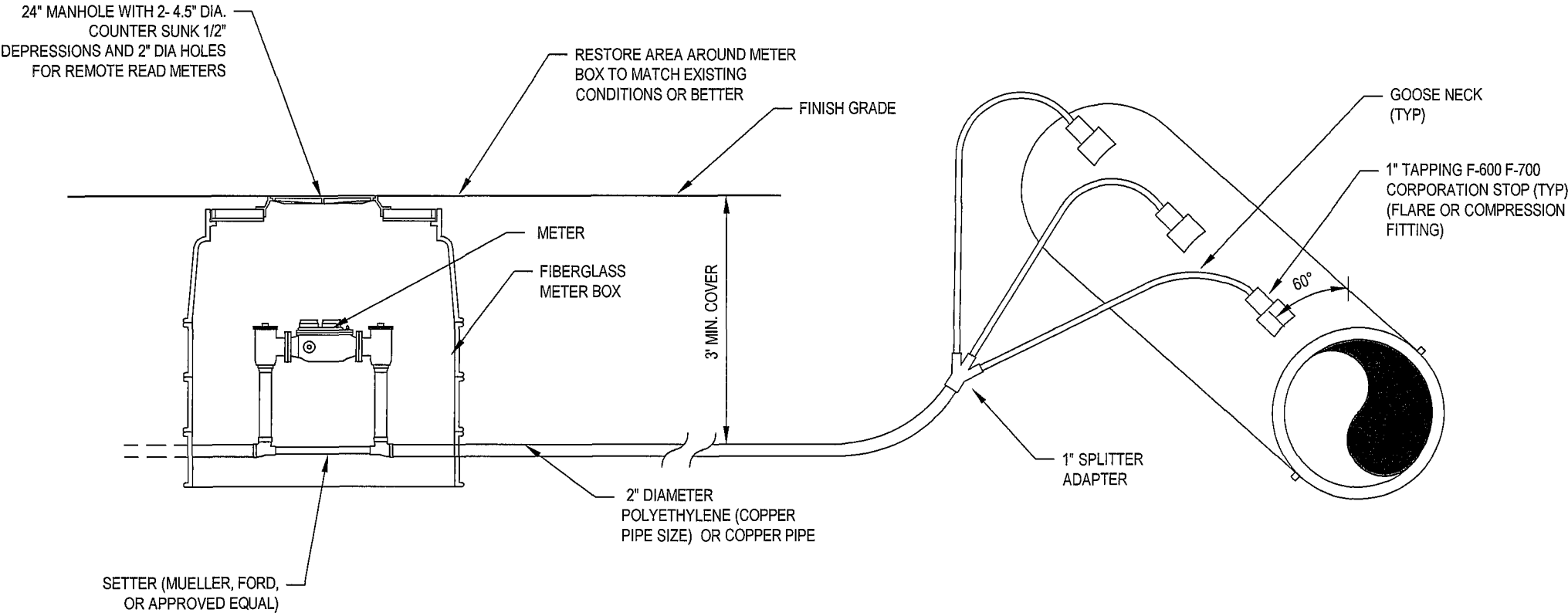
N.T.S.

TBID STANDARD DETAIL

12/2018

NOTES:

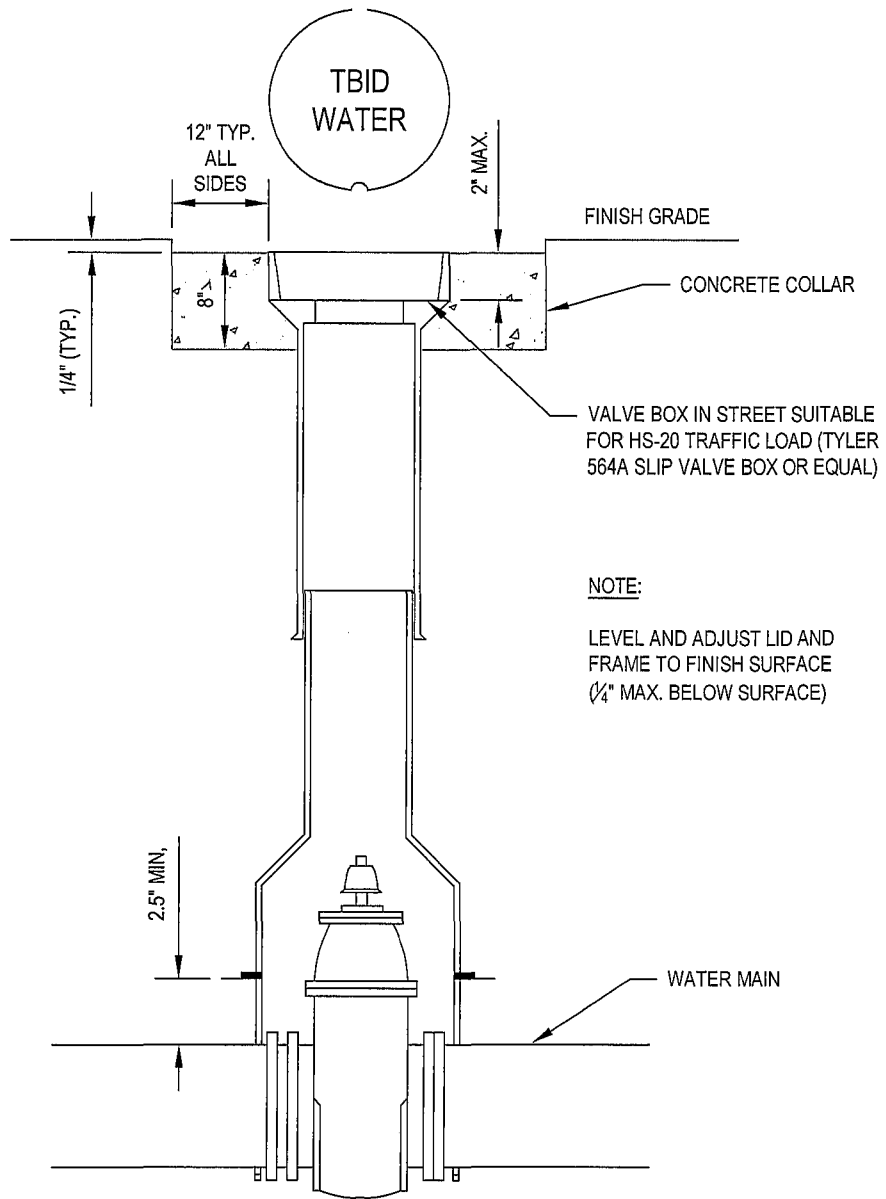
DEVELOPER IS RESPONSIBLE FOR COMPACTION IN THE WATER LATERAL TRENCH.



TB-203A 2" WATER LATERAL CONNECTION DETAIL

N.T.S.

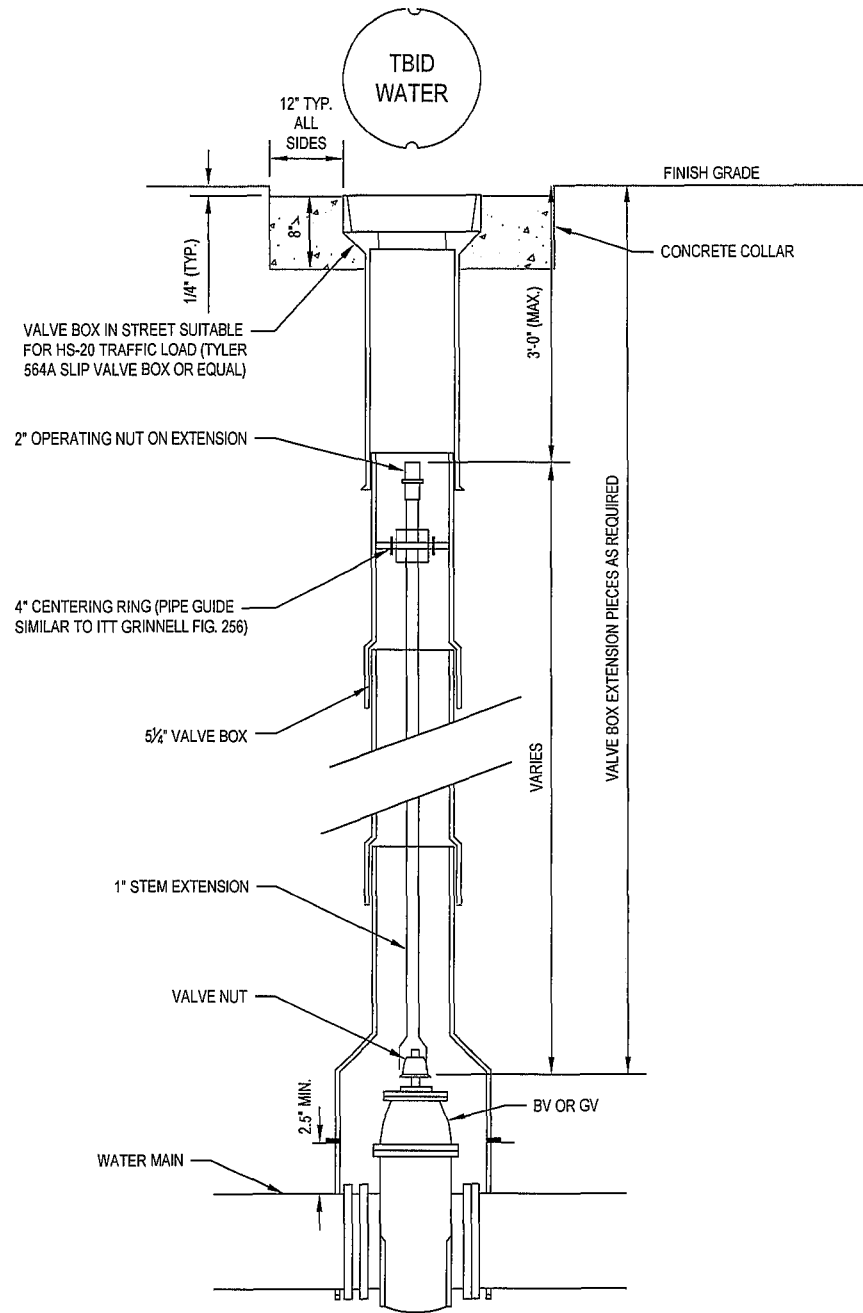
TBID STANDARD DETAIL



TB-204 TYPICAL VALVE BOX

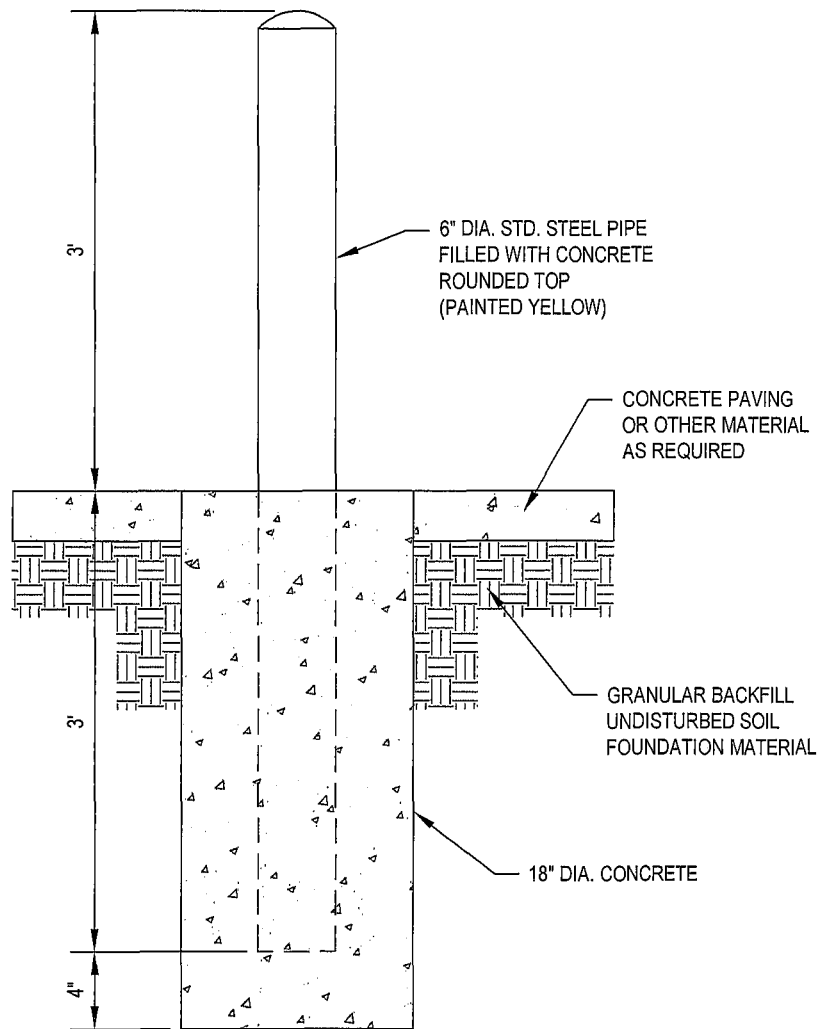
N.T.S.

TBID STANDARD DETAIL

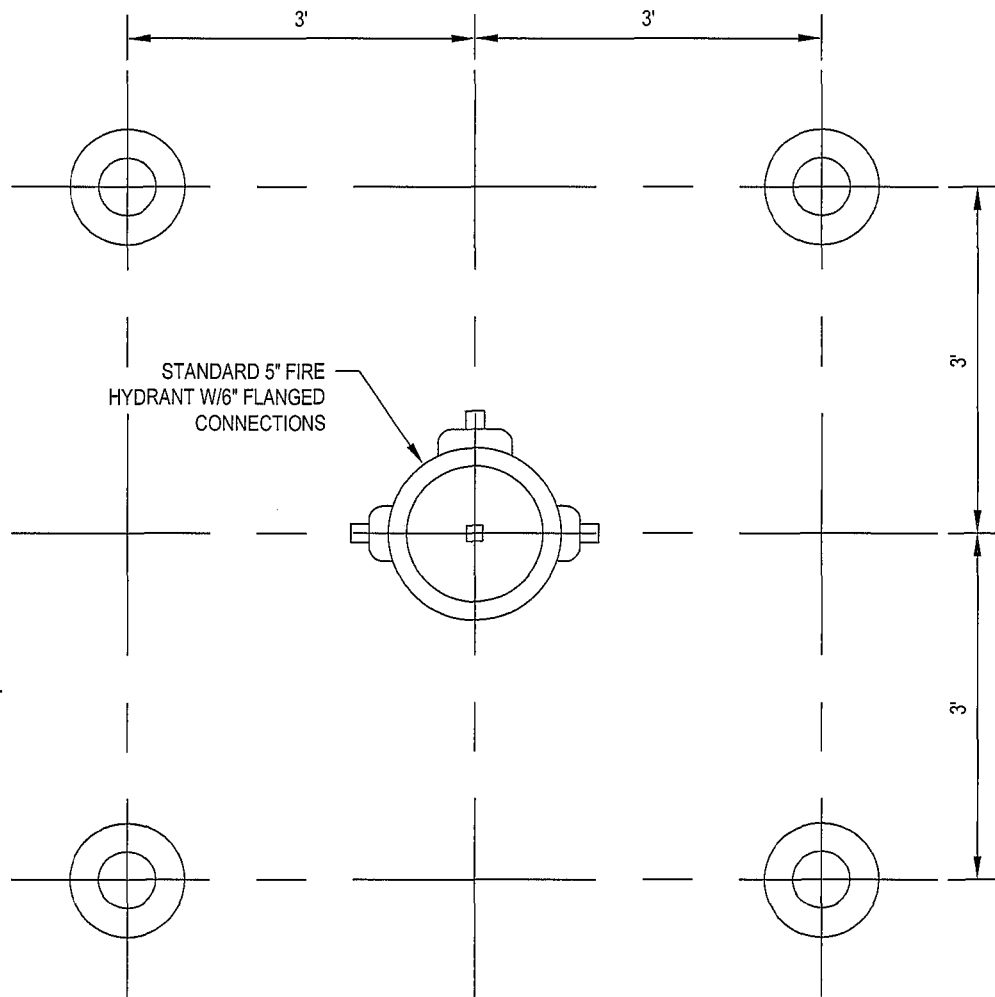


TB-205 TYPICAL VALVE BOX & EXTENSION STEM

N.T.S.



SECTION



PLACEMENT

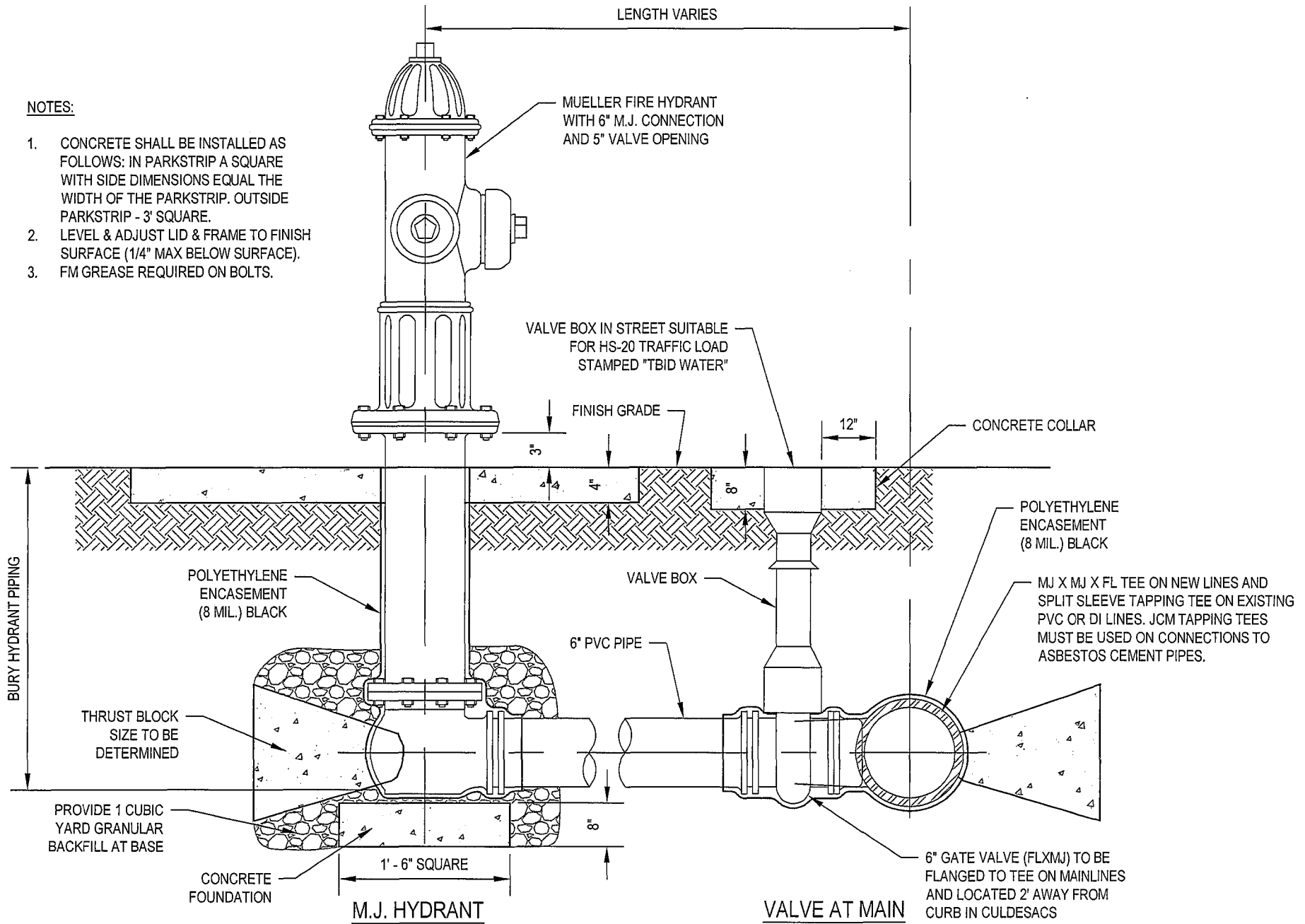
TB-206 BOLLARDS DETAIL

N.T.S.

TBID STANDARD DETAIL

NOTES:

1. CONCRETE SHALL BE INSTALLED AS FOLLOWS: IN PARKSTRIP A SQUARE WITH SIDE DIMENSIONS EQUAL THE WIDTH OF THE PARKSTRIP. OUTSIDE PARKSTRIP - 3' SQUARE.
2. LEVEL & ADJUST LID & FRAME TO FINISH SURFACE (1/4" MAX BELOW SURFACE).
3. FM GREASE REQUIRED ON BOLTS.



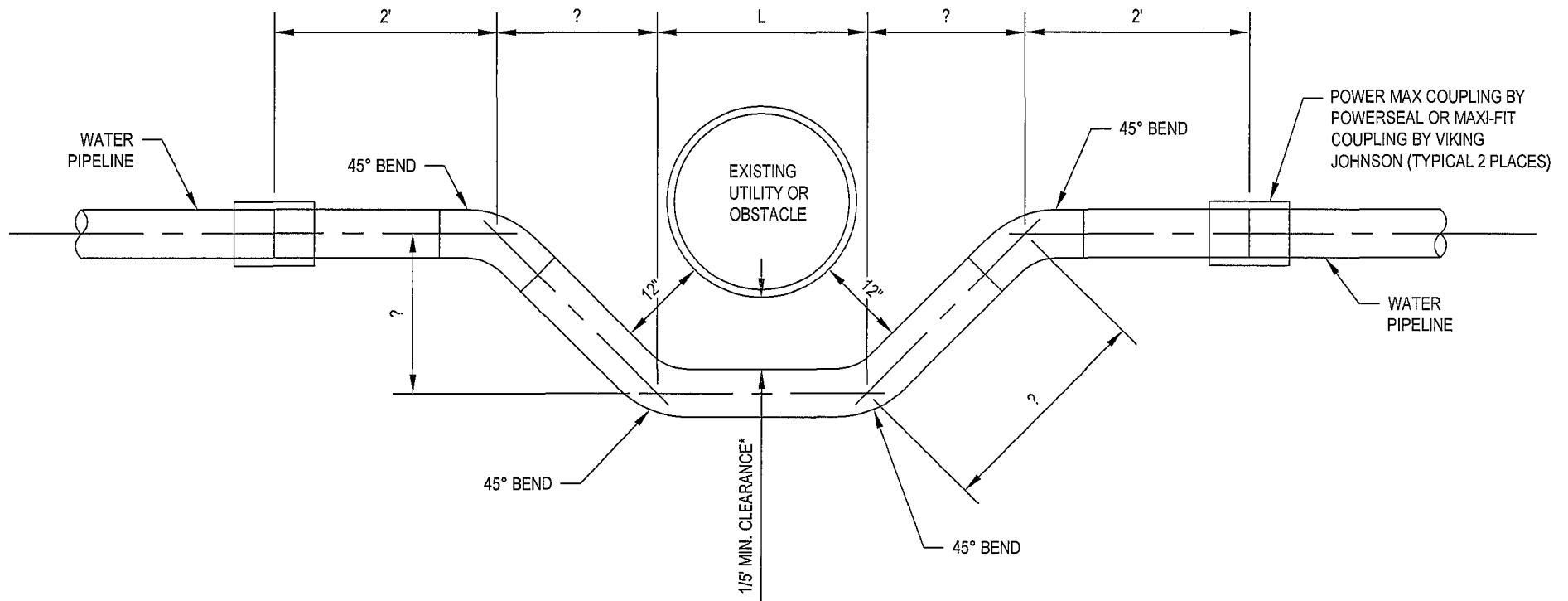
TB-207 FIRE HYDRANT CONNECTION DETAIL

N.T.S.

TBID STANDARD DETAIL

NOTES:

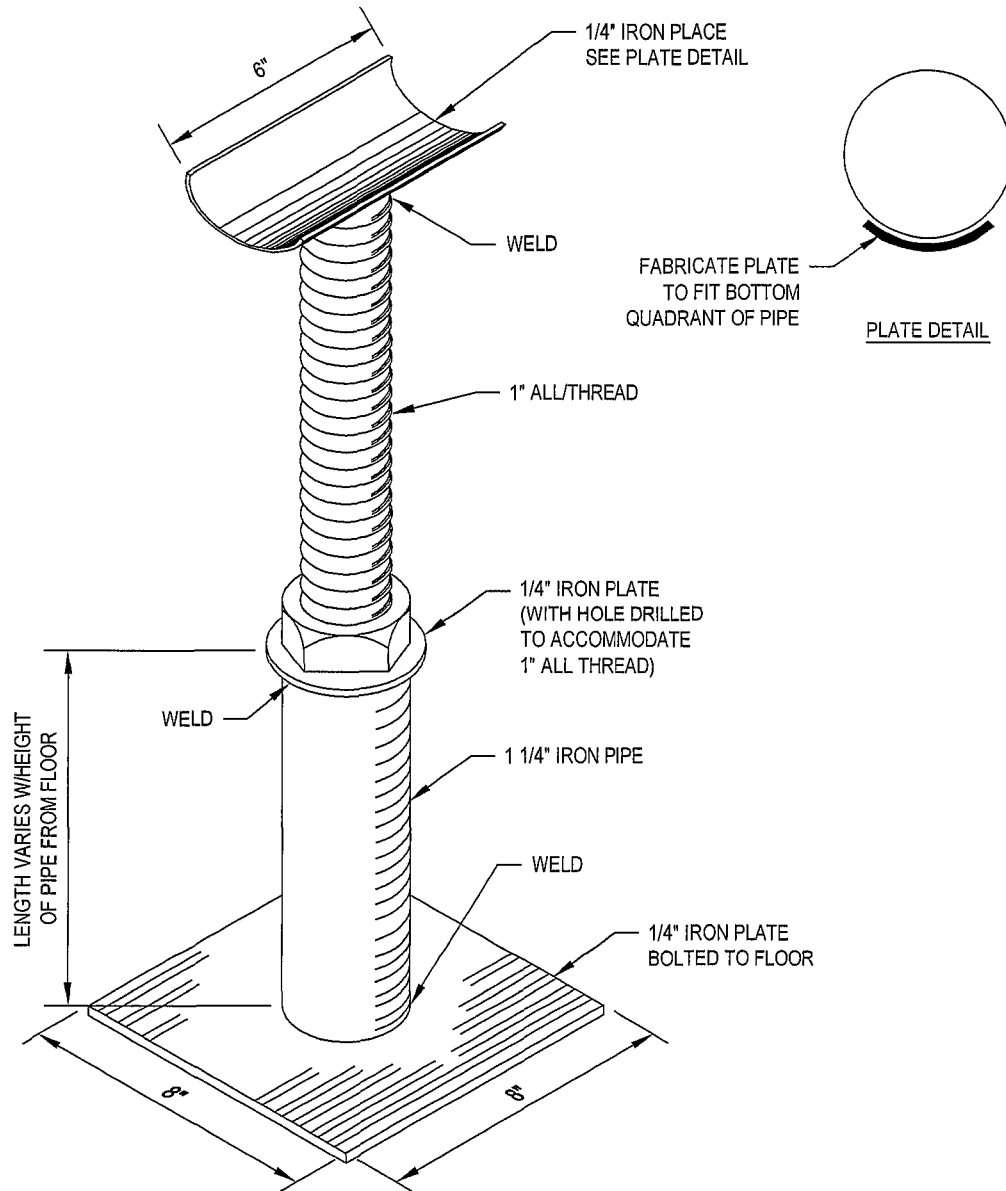
1. O.D. OF STEEL LOOP TO MATCH O.D. OF CONNECTING WATER LINE PIPE.
2. ALL STEEL LOOPS WITH A "L" DIMENSION OF 10' OR GREATER SHALL REQUIRE UPLIFT AND DOWN THRUST BLOCKS.
3. DUCTILE IRON PIPE SIZE



TB-208 PREFABRICATED STEEL LOOP DETAIL

N.T.S.

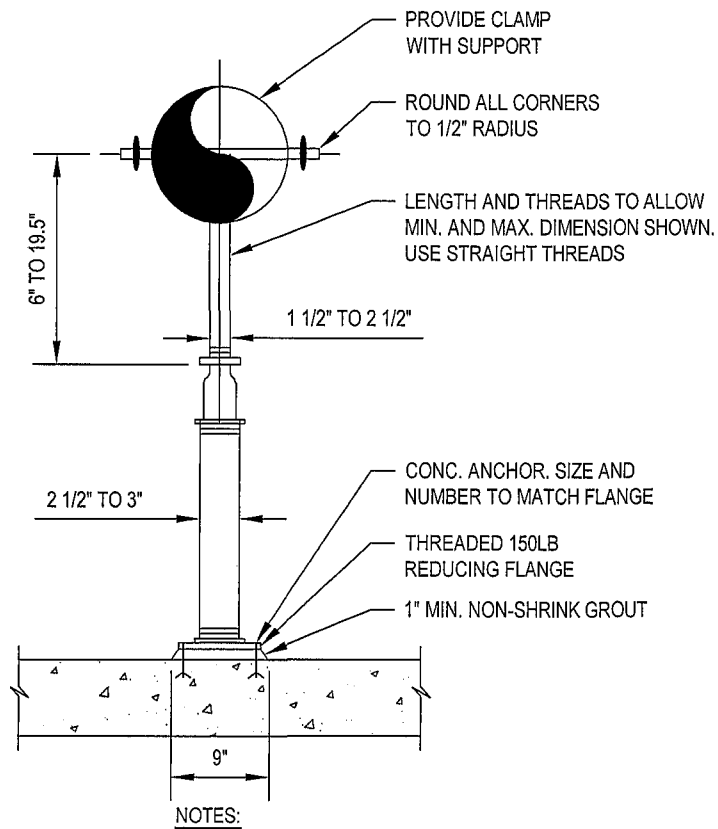
TBID STANDARD DETAIL



TB-209 JACK STAND DETAIL

N.T.S.

TBID STANDARD DETAIL

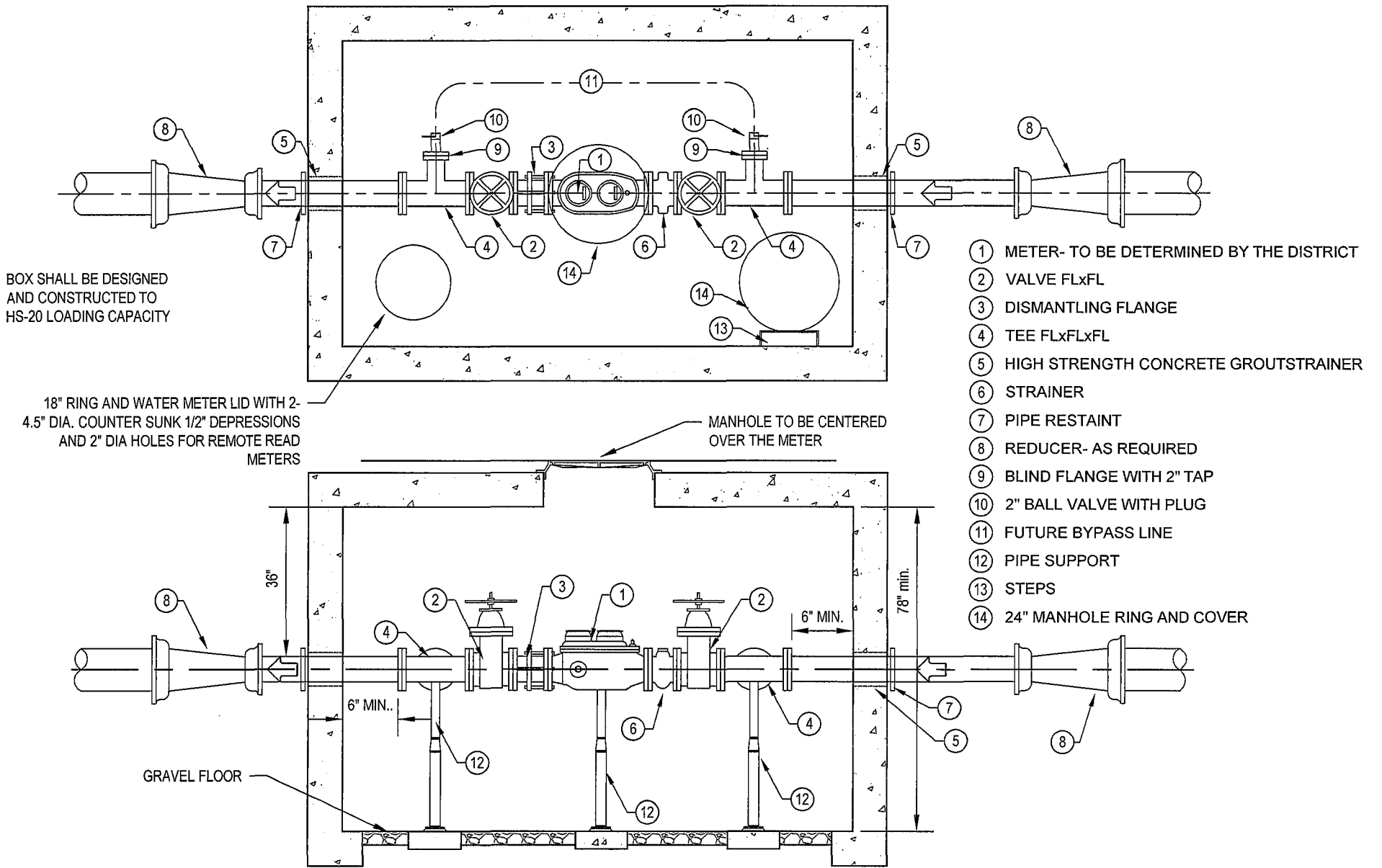


1. HOT DIP GALVANIZED AFTER FABRICATION.
2. PIPE SHALL BE SCHEDULE 40.

TB-210 ADJUSTABLE PIPE SUPPORT

N.T.S.

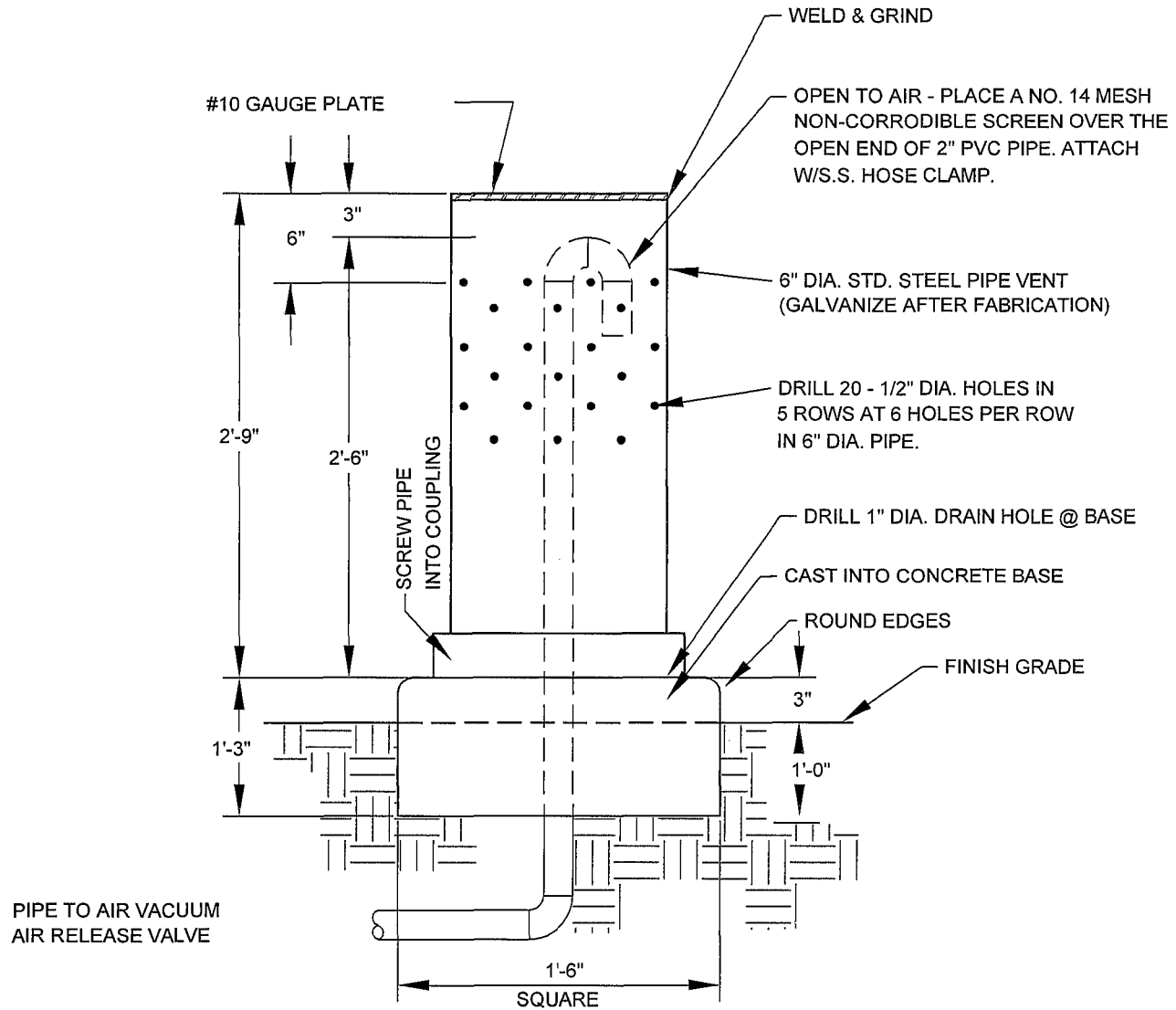
TBID STANDARD DETAIL



TB-222 3" 4" 6" or 8" METER BOX

N.T.S.

TBID STANDARD DETAIL



TB-229 B STAND PIPE

N.T.S.